

# RAK Resort SEMI-INSET BASIN

## Features

- Vitreous china
- No tap hole or overflow
- Requires 32 mm non-overflow waste (not included)
- Capacity: 6.9 litres
- Weight: 8kg

**Please note:** Due to the nature of ceramic as a material, small variations in size and shape do occur. Ensure that the measurements of the purchased basin are checked physically BEFORE cutting any counter-top. Specification drawings are a guide only. Fienza will not be held liable for any errors made by external parties when cutting counter-tops.

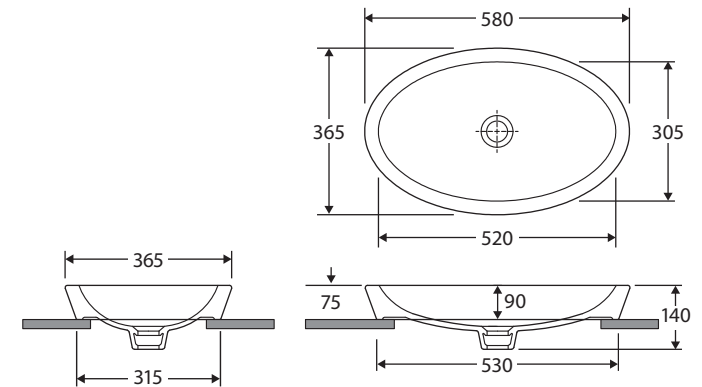
**Installation Warning:** When used with a Fienza stone or timber vanity top, only 10 o'clock or 2 o'clock tap hole positions are suitable.



RAK  
CERAMICS



Made in UAE



## Available in



Gloss White  
**605500W**

## Cleaning & Care

- Wipe with a clean, soft cloth and mild soapy water or non-abrasive bathroom cleaner. Test in an inconspicuous area before cleaning the whole basin.
- Avoid placing hot objects, such as hair straighteners, on any surface as these will cause discolouration and marking.
- Spills of hair dye, after-shave lotion, nail polish and remover, aerosol spray and other harsh chemicals should be removed immediately to prevent damage and discolouration. Clean immediately with mild soapy water using a clean, soft cloth.

We aim to ensure that specifications are correct at the time of publication. All measurements are shown in millimetres. For ceramic products, please allow +/- 10 mm tolerance for manufacturing variance. Always use measurements of actual product received for final specification as the technical drawing may contain differences. Due to printing limitations, physical colour may vary from the image shown. Fienza reserves the right to make modifications without prior notice.