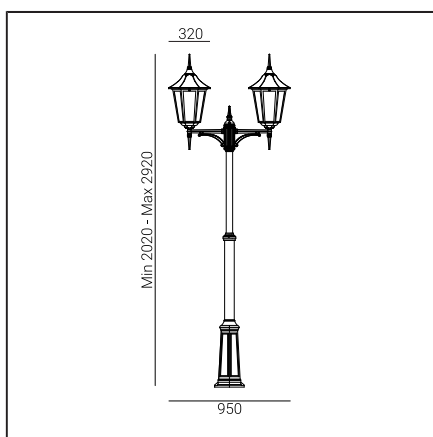


NORLYS MODENA 382

Modena 382XX0309
17.06.2024 v.09.6
www.norlys.com



Type of luminaire

Type of luminaire	Corner
Photometric body	Uncovered light.
Characteristics of the luminaire	Classic design luminaire, mounted on a telescopic lighting pole. Adjustable height 2010..2920mm. For lighting gardens, terraces and other architectural concepts.

General information

Materials	Powder painted aluminum cast. Lens - clear polycarbonate, UV stabilized.
Mounting method	Fixing of the luminaire: 3 holes \varnothing 10,5mm, on a diameter \varnothing 240mm every 120°. Set contains: Art. 3024 - luminaire, Art. 3040 - reduction, Art. 3010 - lightning pole. Other accessories need to be purchased separately.
Terminal	Connection terminal: max. 4x2,5mm ² cable, possibility to connect luminaire in loop max 4x2,5mm ² . A round wire in the isolation with a diameter of max \varnothing 7...10,5mm.
Type of light source	E27 lamp Replaceable light source by an end-user.
Net / gross weight of luminaire	13,99kg / 18,6kg

Technical data

E27 lamp	LED A55..67
Luminaire wattage	LED max 9W
Ta Rated temperature	+25°C, up to +50°C on request

Accessories sold separately

305ZX0009	Concreting anchor.
306ZX0009	Ground anchor.

Recommended light sources

Osram ECO PRO Classic 77<=>100W E27	Philips ECO Classic 70<=>100W E27
Philips Master LEDbulb / LEDbulb Classic E27	Osram LED Parathom Classic / Retrofit E27

Spare parts

06380004	Lens
----------	------

Files to download

Manual

Indexes

Index	Color	RAL
382B	BLACK	9005
382W	WHITE	9003