

# WASH STAND INSTALLATION GUIDE



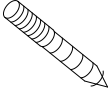
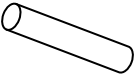

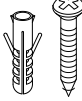
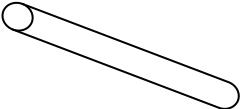
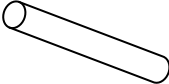
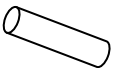

## BEFORE YOU BEGIN **\*\* IMPORTANT \*\***

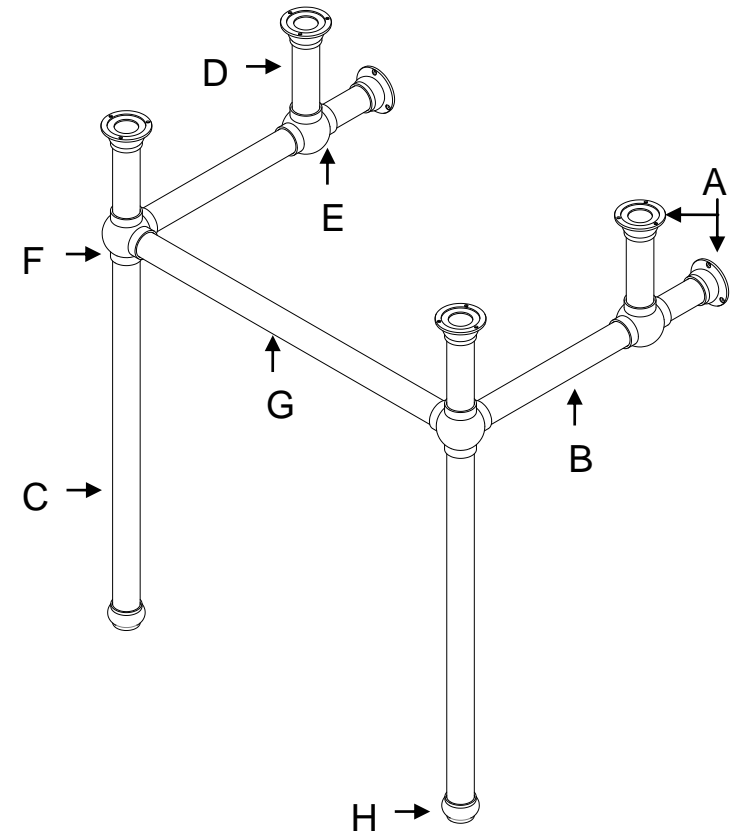
- 1) Professional installation by two-person crew is required for this fixture
- 2) Assembly this fixture on a blanket or smooth cardboard.
- 3) We do recommend installing wood blocking inside your wall to add support to your stand. If you choose not to insert wood blocking, you will need to use heavy duty anchors (such as steel or toggles).
- 4) Slide the joint onto support bar slightly to avoid scratch.

### Recommended Tools:

- Drill
- Level
- Hammer
- Pencil
- Silicone
- Phillips head screwdriver
- Safety Glasses

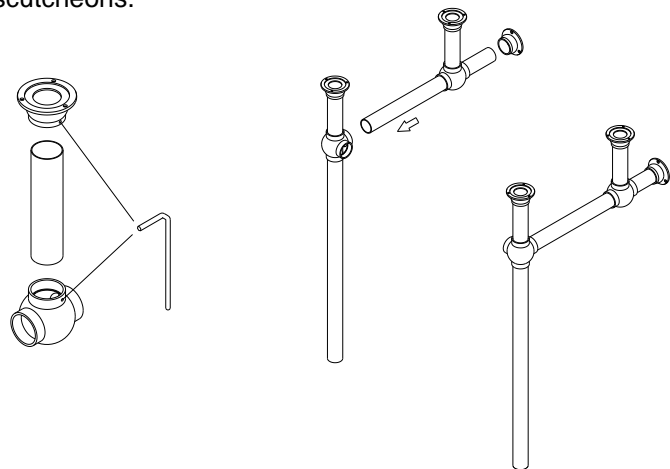
### Parts:

(A) Escutcheon x 6 pcs	(E) 3-Way Joint x 2 pcs	(I) Floor Screw x 2 pcs
		
(B) Side Bar x 2 pcs	(F) 4-Way Joint x 2 pcs	(J) Screw & Anchor x 6 pcs
		
(C) Support Bar x 2 pcs	(G) Front Bar x 1 pc	
		
(D) Support Bar x 2 pcs	(H) Foot Flange x 2 pcs	
		

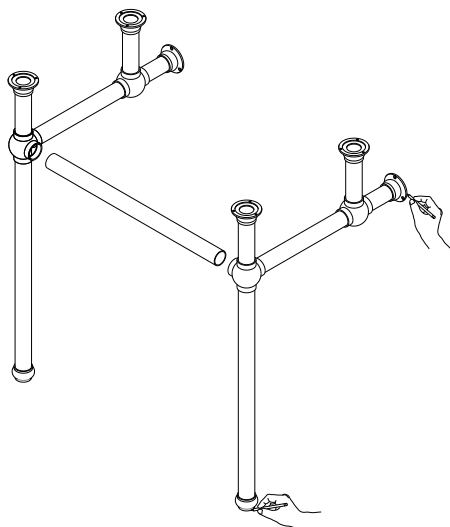


## INSTALLATION STEP

- 1) Assembly the back support as shown. Tighten set screw on the escutcheon and 3-way joint.
- 2) Assembly support legs as shown. Use a level to ensure the top escutcheons are straight. Tighten set screw on the 3-way joint, 4-way joint and all escutcheons.



- 3) After assembling both sides support legs, attach front bar to join both sides and tighten set screw.
- 4) With one person on either side of assembled stand, carefully position the wash stand in desired location. Use a pencil mark position of wall escutcheon screw holes on wall as well as the perimeter of the location of foot flange on floor.



- 5) Thread the floor screw with foot flange and screw it into floor.
- 6) Drill holes on wall for wall escutcheon and push anchors flush with wall
- 7) Insert the support legs into foot flange and fasten wash stand to wall with mounting screws.
- 8) Apply a thin coat of silicone on the top flanges to secure the counter top to stand.  
(If counter top need slight leveling adjustment, place attached sponge pads on escutcheon as necessary to stabilize.)

